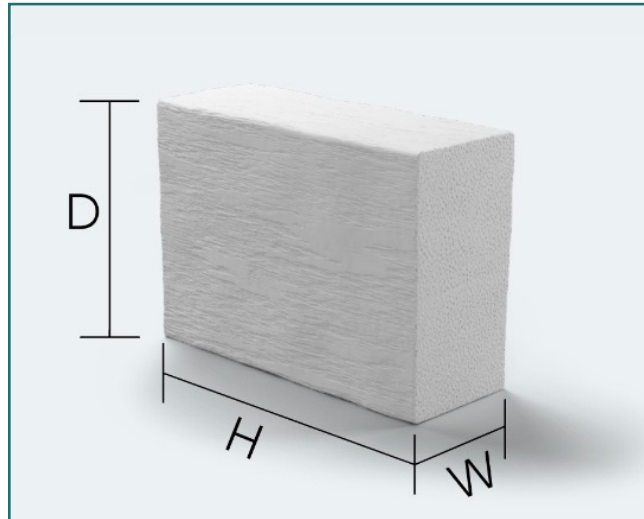


BLOCKS - available sizes



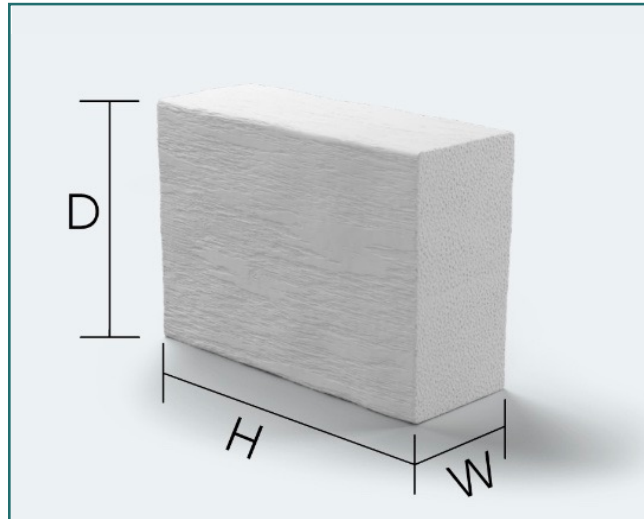
b.Bone™ is intended for use as a bone graft for voids or gaps that are not intrinsic to the stability of the bony structure. It is indicated in the treatment of surgically created osseous defects or osseous defects resulting from traumatic injury to the bone.

b.Bone™ is intended to be implanted into bony voids or gaps of the skeletal system as a bone substitute, in the extremities and pelvis.

Product code	Width (W)	Depth (D)	Height (H)
HP401020PS	10 mm	20 mm	40 mm
HP200510PS*	5 mm	10 mm	20 mm
HP200520PS*	5 mm	20 mm	20 mm
HP200530PS*	5 mm	30 mm	20 mm
HP201010PS*	10 mm	10 mm	20 mm
HP201020PS*	10 mm	20 mm	20 mm
HP201030PS*	10 mm	30 mm	20 mm
HP201510PS*	15 mm	10 mm	20 mm
HP201520PS*	15 mm	20 mm	20 mm
HP201530PS*	15 mm	30 mm	20 mm
HP300510PS*	5 mm	10 mm	30 mm
HP300520PS*	5 mm	20 mm	30 mm
HP300530PS*	5 mm	30 mm	30 mm

**Upon request*

BLOCKS - available sizes



b.Bone™ is intended for use as a bone graft for voids or gaps that are not intrinsic to the stability of the bony structure. It is indicated in the treatment of surgically created osseous defects or osseous defects resulting from traumatic injury to the bone.

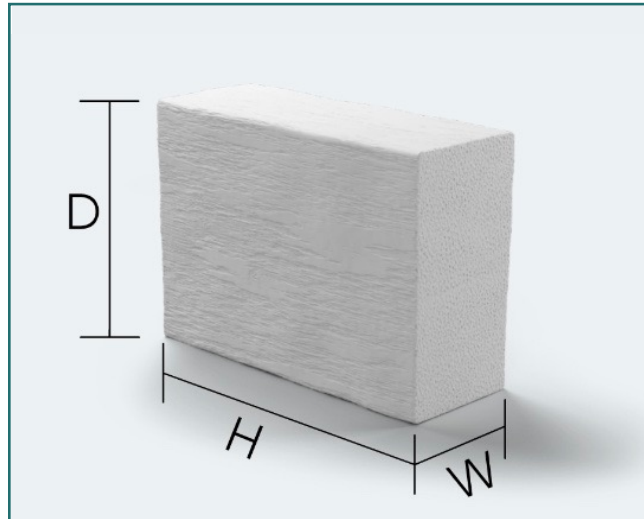
b.Bone™ is intended to be implanted into bony voids or gaps of the skeletal system as a bone substitute, in the extremities and pelvis.

Product code	Width (W)	Depth (D)	Height (H)
HP301010PS*	10 mm	10 mm	30 mm
HP301020PS*	10 mm	20 mm	30 mm
HP301030PS*	10 mm	30 mm	30 mm
HP301510PS*	15 mm	10 mm	30 mm
HP301520PS*	15 mm	20 mm	30 mm
HP301530PS*	15 mm	30 mm	30 mm
HP400510PS*	5 mm	10 mm	40 mm
HP400520PS*	5 mm	20 mm	40 mm
HP400530PS*	5 mm	30 mm	40 mm
HP401010PS*	10 mm	10 mm	40 mm
HP401030PS*	10 mm	30 mm	40 mm
HP401510PS*	15 mm	10 mm	40 mm
HP401520PS*	15 mm	20 mm	40 mm

*Upon request

FEB 2024

BLOCKS - available sizes



b.Bone™ is intended for use as a bone graft for voids or gaps that are not intrinsic to the stability of the bony structure. It is indicated in the treatment of surgically created osseous defects or osseous defects resulting from traumatic injury to the bone.

b.Bone™ is intended to be implanted into bony voids or gaps of the skeletal system as a bone substitute, in the extremities and pelvis.

Product code	Width (W)	Depth (D)	Height (H)
HP401530PS*	15 mm	30 mm	40 mm
HP500510PS*	5 mm	10 mm	50 mm
HP500520PS*	5 mm	20 mm	50 mm
HP500530PS*	5 mm	30 mm	50 mm
HP501010PS*	10 mm	10 mm	50 mm
HP501020PS*	10 mm	20 mm	50 mm
HP501030PS*	10 mm	30 mm	50 mm
HP501510PS*	15 mm	10 mm	50 mm
HP501520PS*	15 mm	20 mm	50 mm
HP501530PS*	15 mm	30 mm	50 mm

**Upon request*

FEB 2024